

## 1.8 ltr. engine with manual gearbox

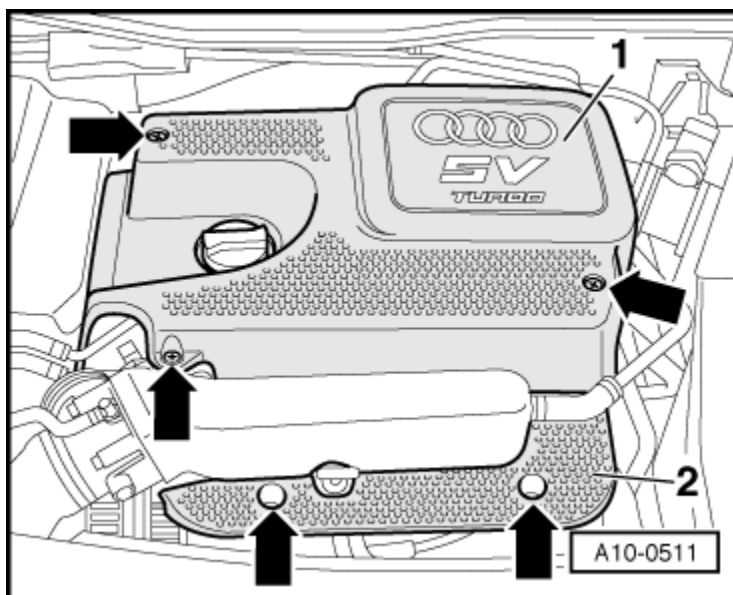
## Removing

- If fitted, remove cover -2- in front of intake manifold -bottom arrows-.

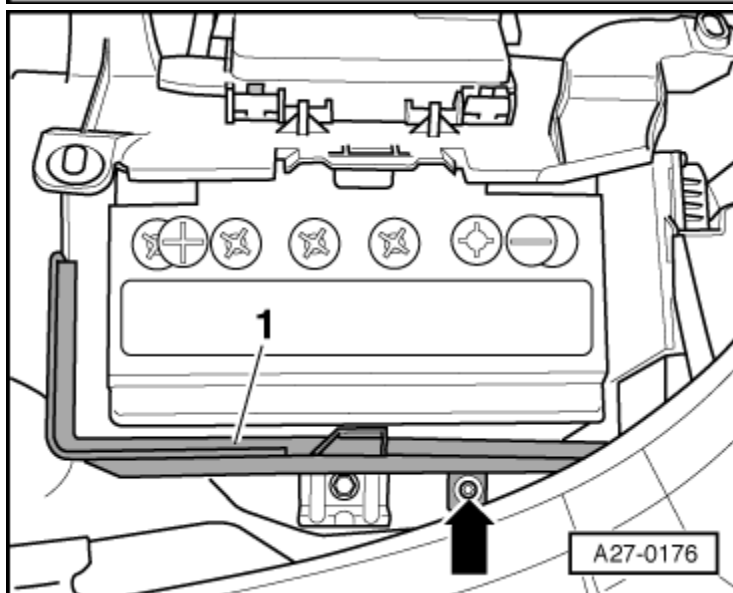


Note

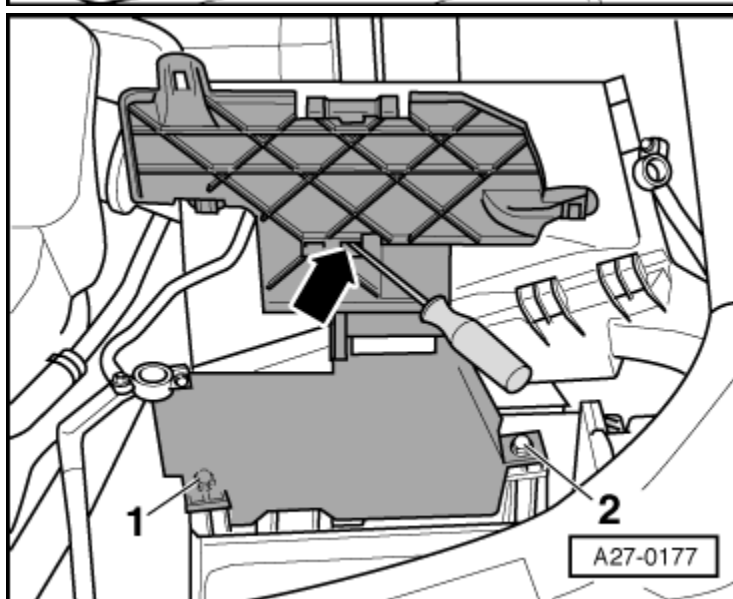
Disregard -item 1-.



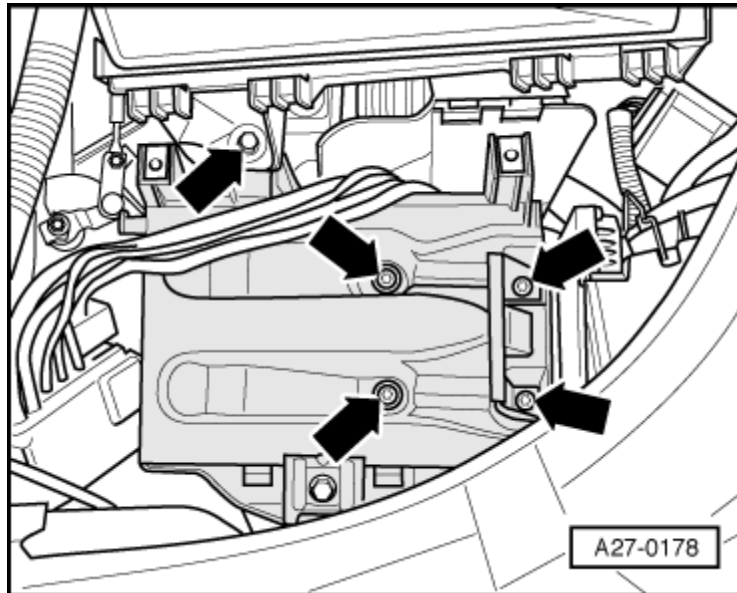
- Remove battery → [Chapter](#).
- Unscrew bolt -arrow-.
- Carefully pull front battery cover -1- upwards out of guide.



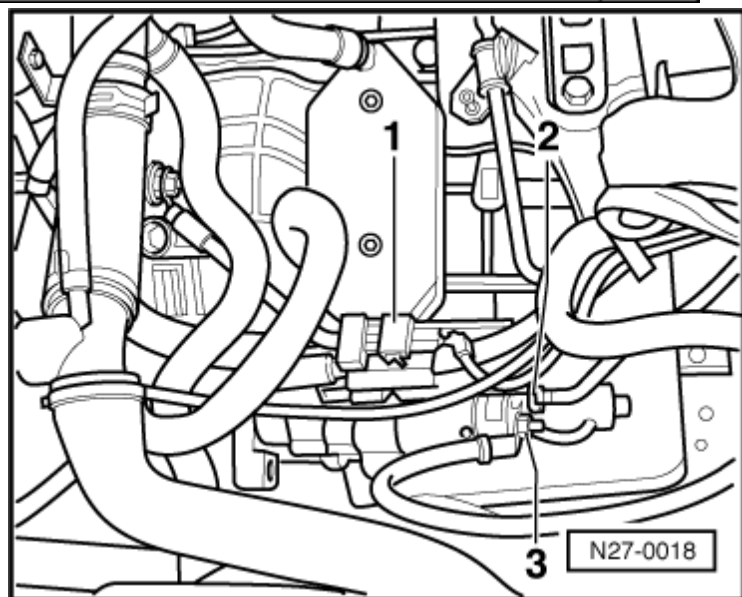
- Unclip main fuse box from top of battery tray -arrow-.
- Unscrew bolts -1- and -2- and detach rear battery cover from battery tray.



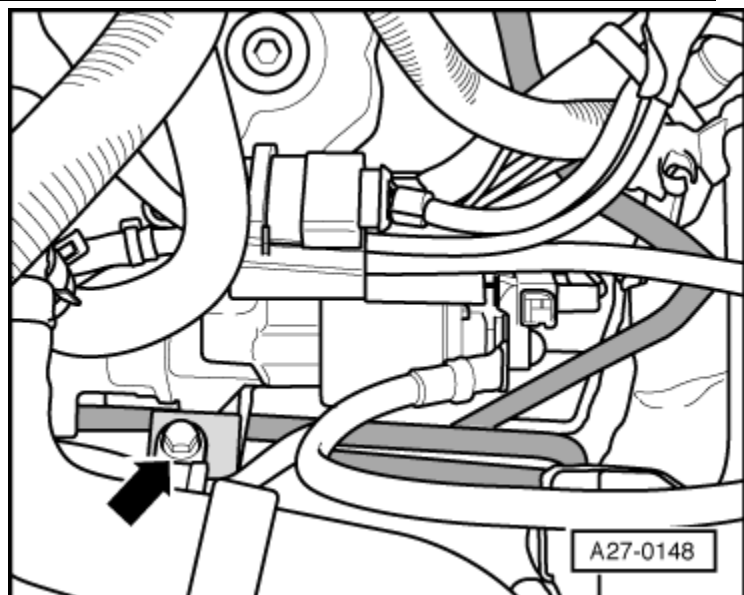
- Remove battery tray -arrows-.



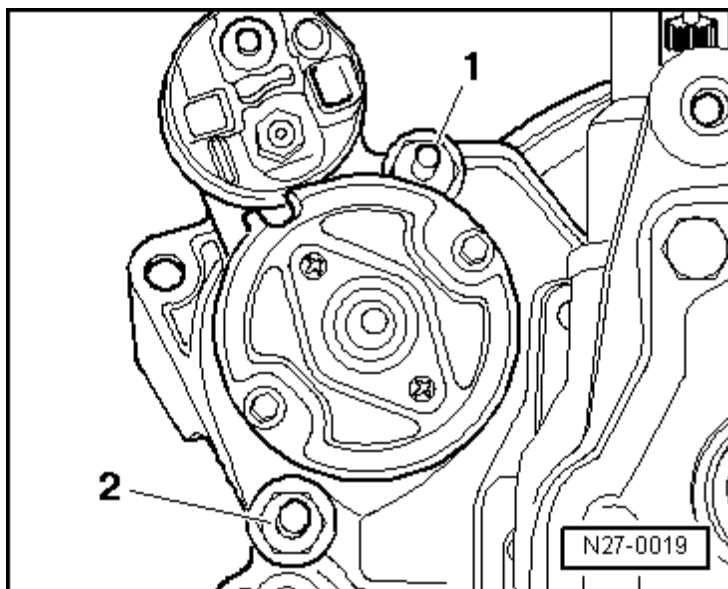
- Unplug electrical connector -1-.
- Unclip connector from cable guide.
- Detach wires -2- and -3- at starter.
- Take wiring out of guide.



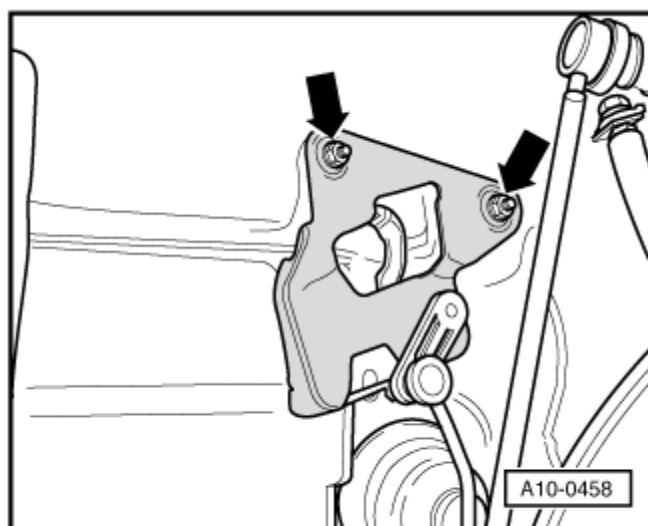
- If fitted, remove bolt -arrow- and move hydraulic pressure line for power steering clear to one side.
- Unscrew wiring guide.



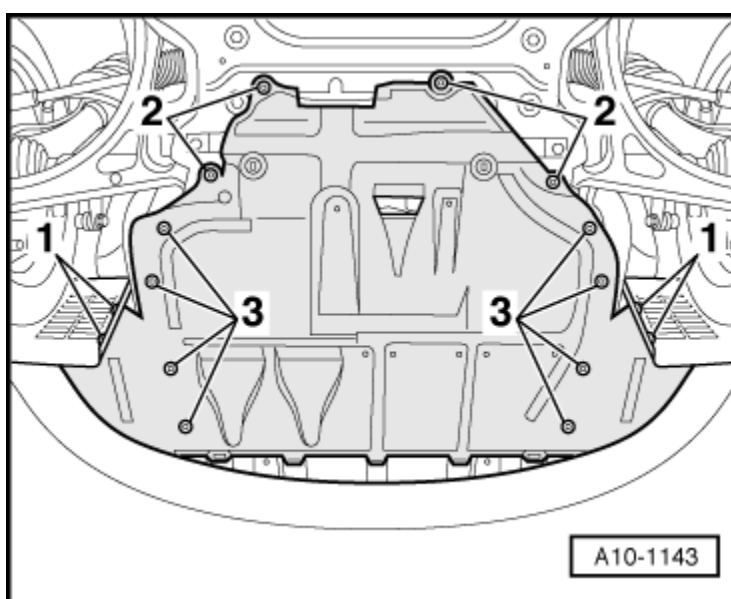
- Remove top starter bolt -1-.



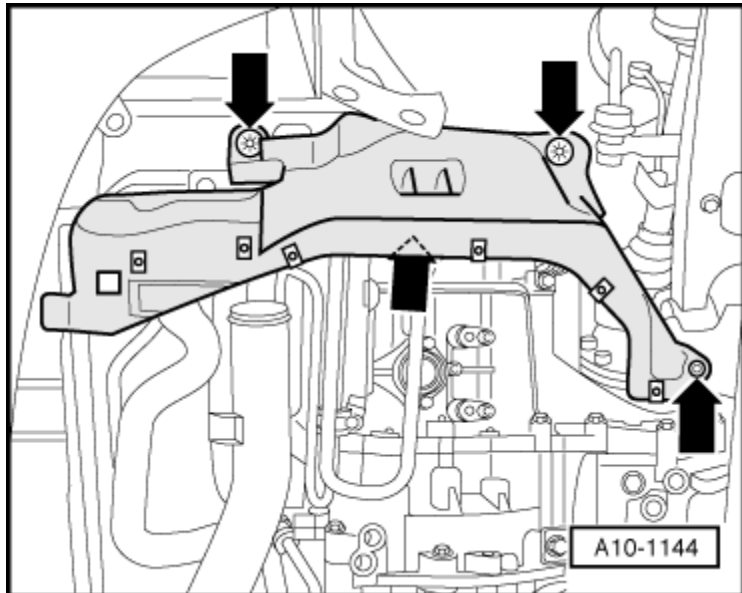
- Remove front left wheel.
- If fitted, remove bracket for front left vehicle level sender -G78--arrows-.



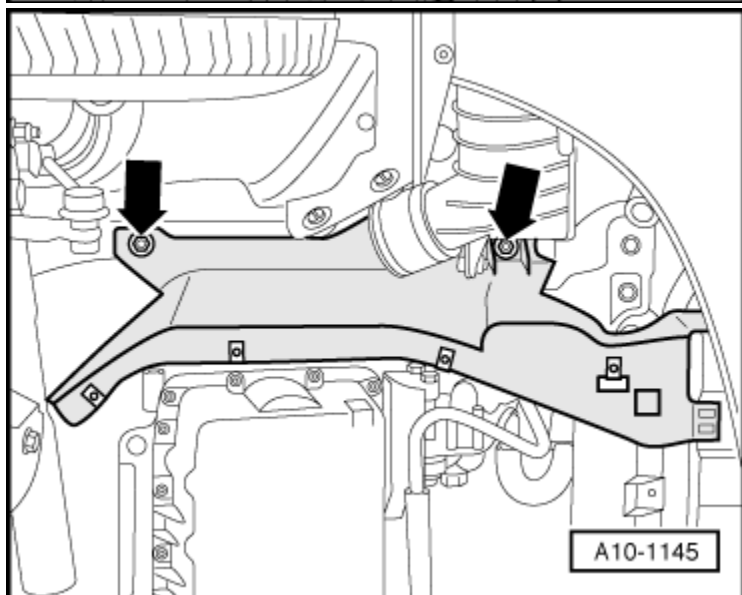
- Release fasteners -1, 2, 3- and remove centre noise insulation panel.



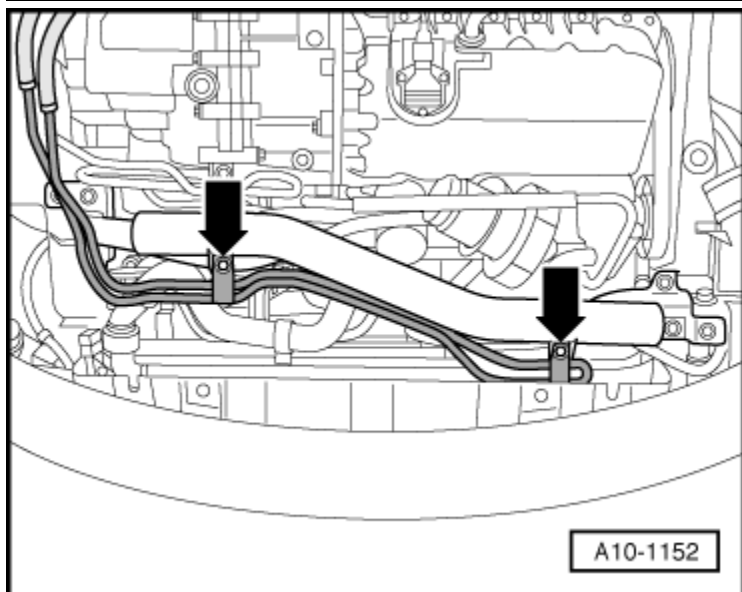
- Remove left noise insulation panel - arrows-



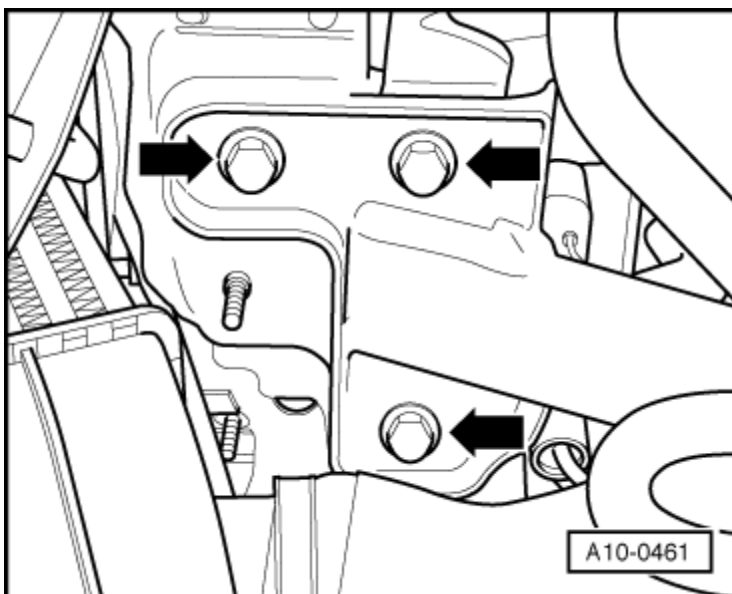
- Remove right noise insulation panel - arrows-



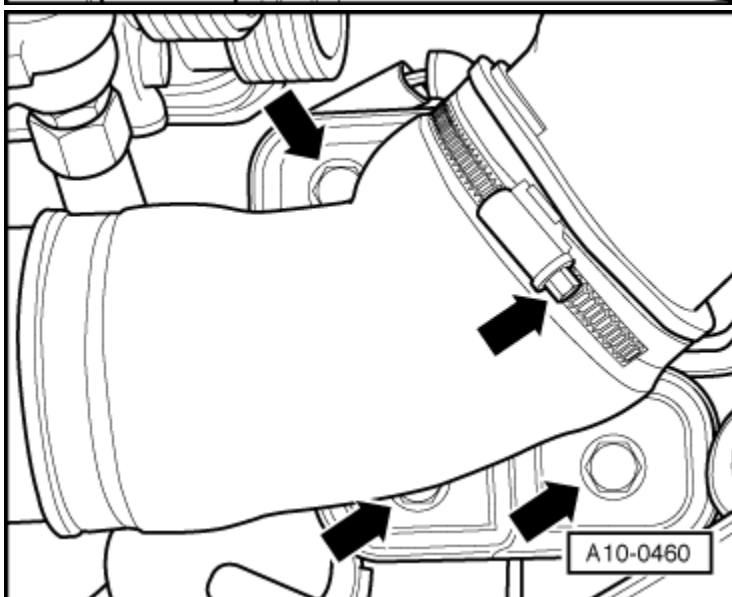
- If fitted, detach power steering line from connecting pipe -arrows-



- If fitted, detach connecting pipe between charge air coolers (left and right) from longitudinal members - arrows-



- Detach air hose from charge air coolers -arrow- and connecting pipe.



- Remove bottom starter bolt -2-
- Take out starter.

Installing

Installation is carried out in the reverse order; note the following:

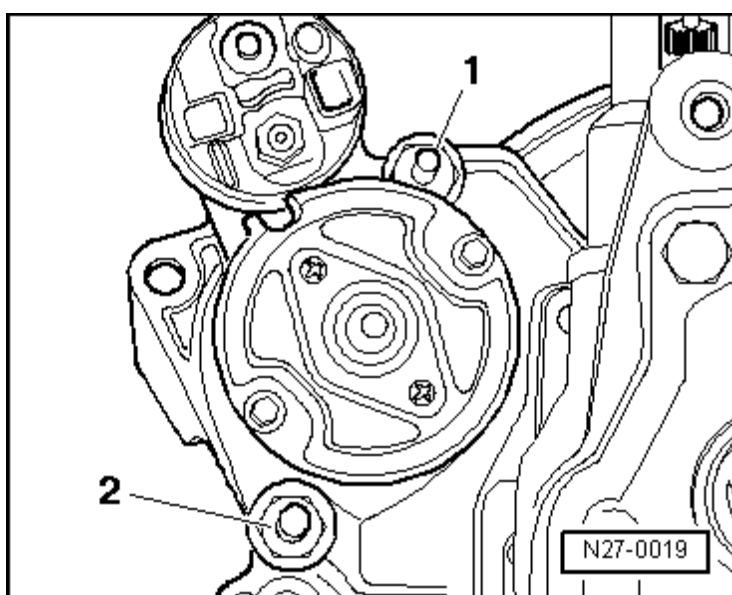


Note

Hose flanges and hoses for charge air t system must be free from oil and grease before fitting.

Secure all hose connections with the correct type of hose clips (same as original equipment) → [Electronic parts catalogue](#).

- Install battery tray.
- Install battery → [Chapter](#).



Tightening torques

Component	Nm
-----------	----

Starter to gearbox	M10	45
	M12	65
Connecting pipe to longitudinal member		20
Bracket for power steering pressure pipe to starter		22
Wiring guide to starter		22
Terminal "B+" to starter		16
Battery tray to longitudinal member		10