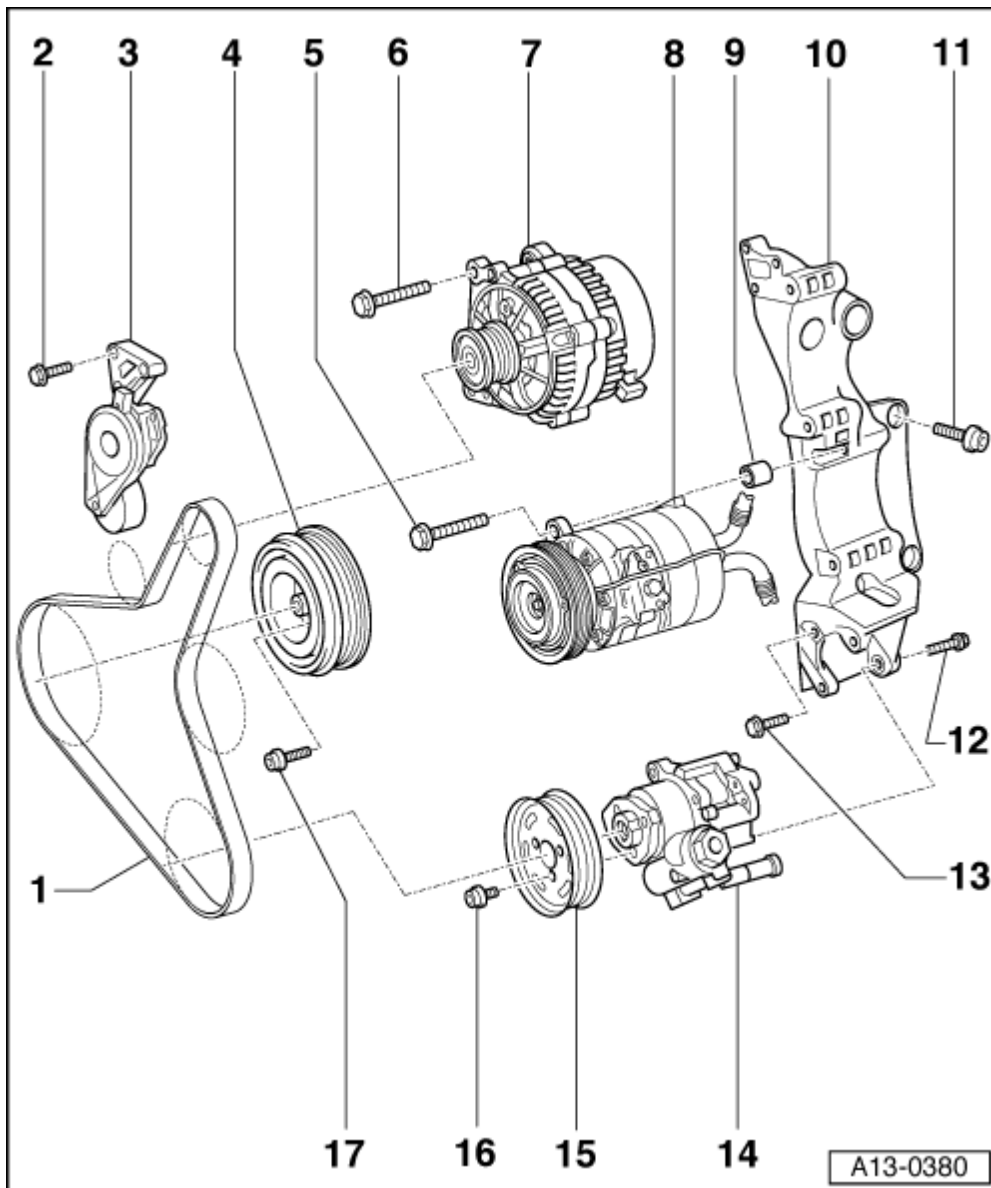


Poly V-belt drive - exploded view of components



Note

The illustration shows the poly V-belt drive on vehicles with air conditioner.



1 - Poly V-belt

q Routing of belt on vehicles without air conditioner → [Fig.](#)

q Routing of belt on vehicles with air conditioner → [Fig.](#)

q Double-sided poly V-belt on vehicles with air conditioner

q Before removing, mark direction of rotation with chalk or felt-tipped pen. If the belt runs in the opposite direction when it is refitted, this can cause breakage.

q Check for wear

q Do not kink

q Removing and installing → [Chapter](#)

2 - 23 Nm

3 - Poly V-belt tensioner

q Turn with open-end spanner to slacken poly V-belt → [Anchor](#)

4 - Vibration damper

q With pulley for poly V-belt

q Removing and installing → [Chapter](#)

5 - 45 Nm

6 - 23 Nm

7 - Alternator

q Removing and installing → [Rep. Gr.27](#)

q To facilitate attachment of alternator, knock back threaded bushes for alternator securing bolts slightly

8 - Air conditioner compressor

q Removing and installing → [Rep. Gr.87](#)

q After detaching, secure compressor to lock carrier using wire or similar. Do not leave it suspended from refrigerant pipes.

q Do not unscrew or disconnect refrigerant hoses or pipes.

q To facilitate attachment of air conditioner, knock back threaded bushes for securing bolts slightly

9 - Spacer bush

10 - Bracket for ancillaries

q Removing and installing → [Chapter](#)

11 - 45 Nm

12 - 23 Nm

13 - 23 Nm

14 - Power steering pump

q Removing and installing → [Rep. Gr.48](#)

q To facilitate positioning of power steering pump, drive back threaded bush for securing bolt slightly at bracket

15 - Pulley for power steering pump

16 - 23 Nm

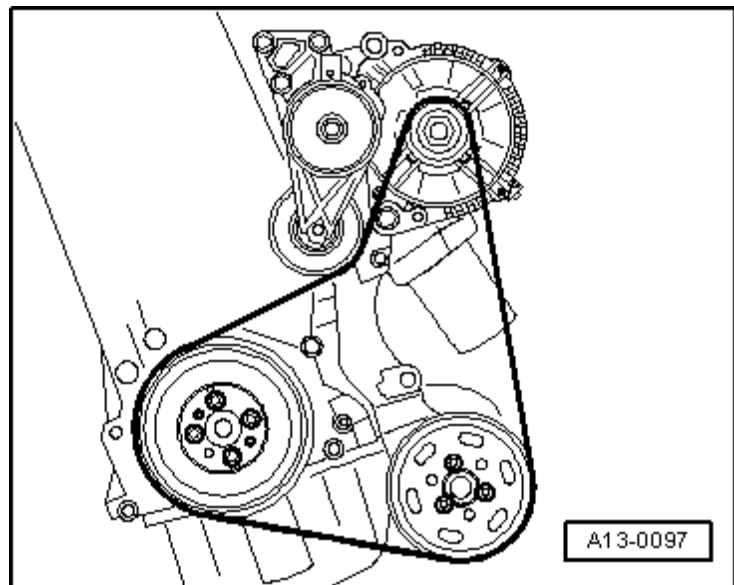
17 - Special bolt

q For correct version refer to → [Parts catalogue](#)

q If bolt strength rating is 8.8, renew bolt and tighten to 10 Nm + 90° further

q If bolt strength rating is 10.9, tighten to 40 Nm

Routing of poly V-belt on vehicles
without air conditioner



Routing of poly V-belt on vehicles with air conditioner



Note

A double-sided poly V-belt is fitted on engines with A/C compressor.

